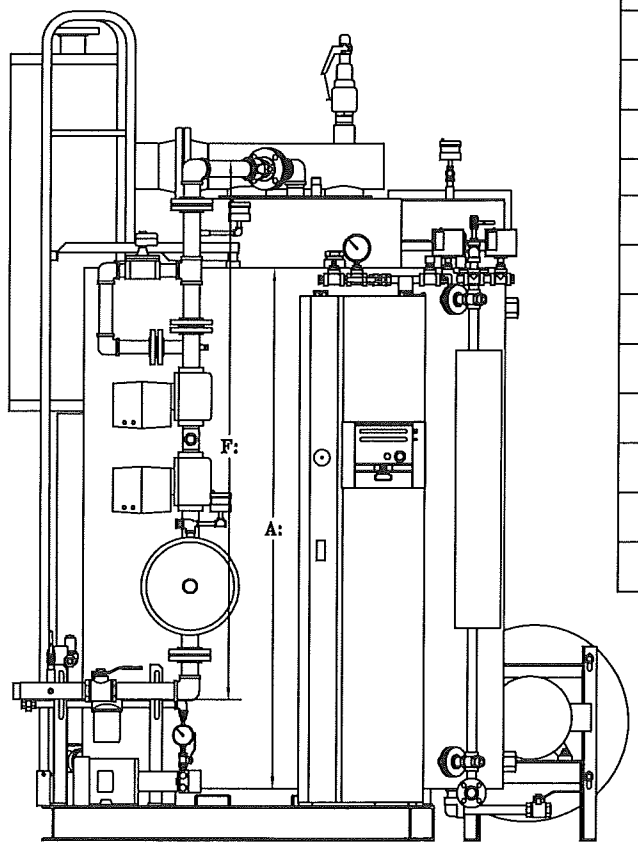
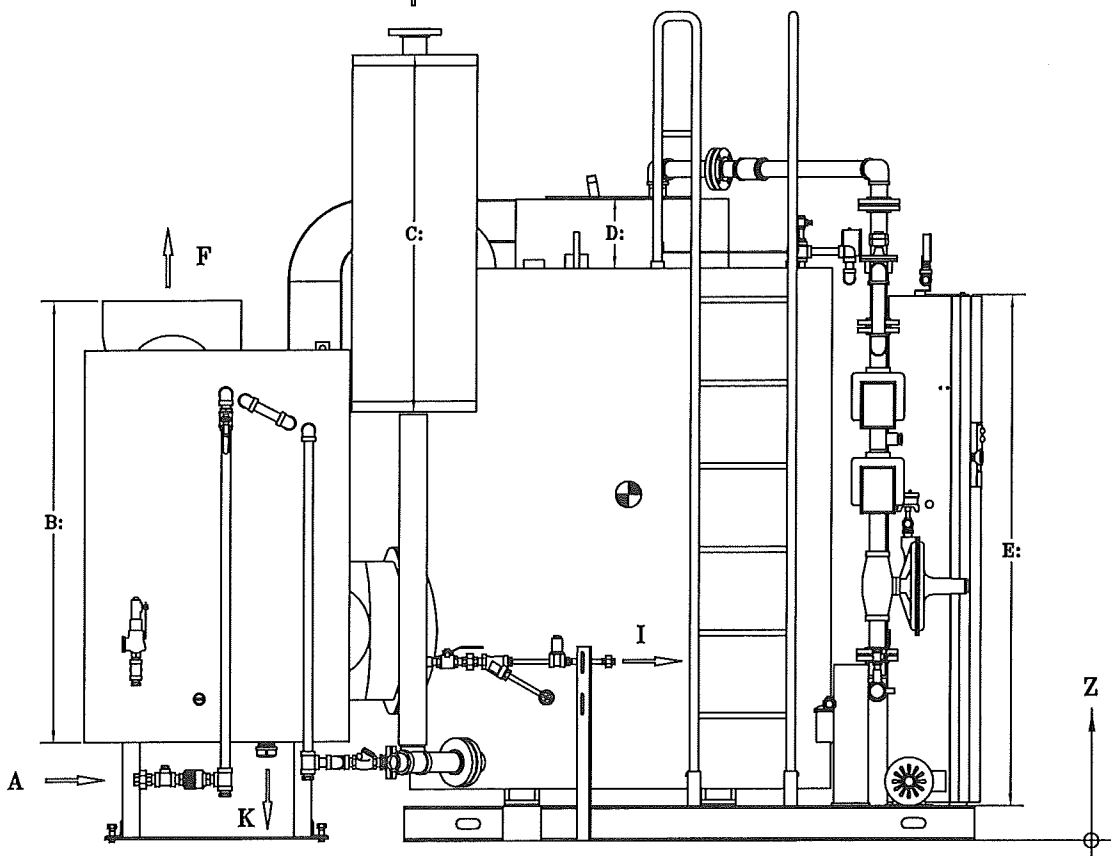
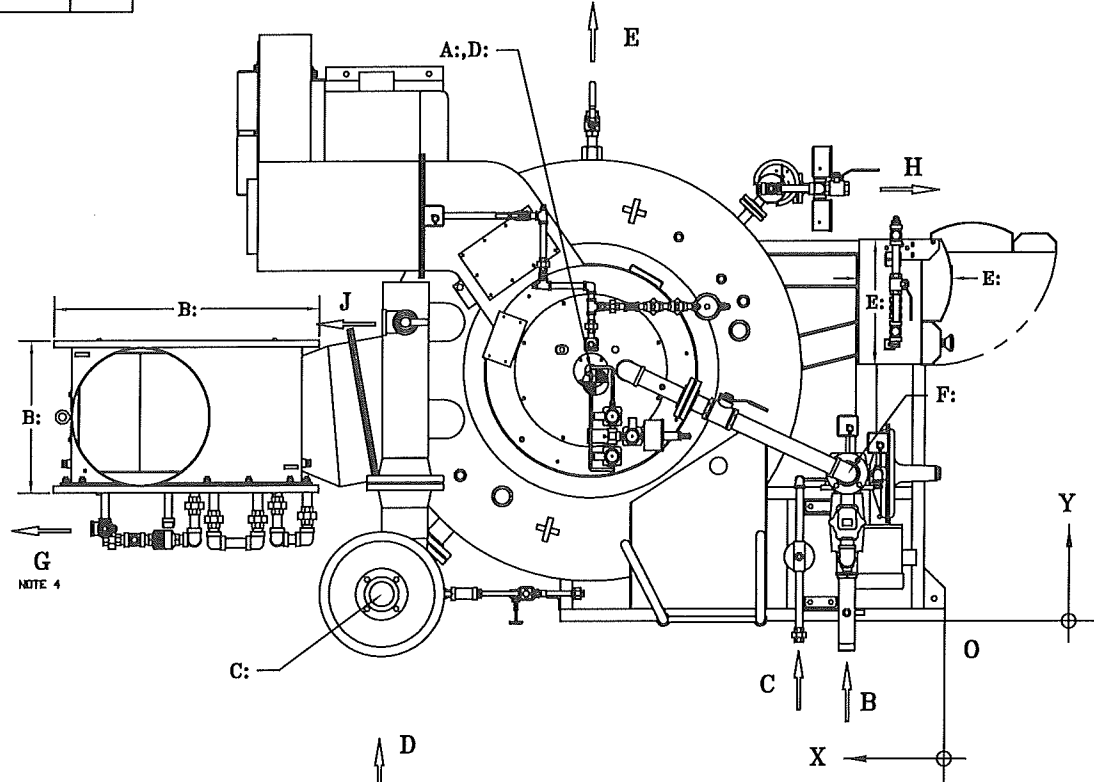


APP. TYPE	QTY
EX-150SGO-07	1
EX-200SGO-07	1

NOTE:

- 1) THIS DRAWING ILLUSTRATED WITH AN ECONOMIZER.
- 2) DIMENSIONS, SPECIFICATIONS AND SOME PIPINGS ARE SUBJECT TO CHANGE WITHOUT NOTICE.
- 3) GAS VENT PIPING SHALL BE ENFORCED IN ACCORDANCE WITH LOCAL REGULATION.
- 4) ECONOMIZER SAFETY RELIEF VALVE IS APPLIED FOR ISOLATABLE ECONOMIZER ONLY.



LEGEND		DIMENSION (INCHES)			
		X	Y	Z	SIZE
A	FEEDWATER INLET (WITH ECO.)	121 1/2	11 7/8	9	1" NPT
B	SUPPLY GAS INLET	14 1/8	-4 1/4	21 1/2	2" NPT
C	#2 OIL INLET	21	-3	19 5/8	3/4" NPT
D	STEAM OUTLET	81 1/8	4	117 1/4	3" FLANGE
E	BOTTOM BLOW-OFF	51 1/8	73 1/2	4 3/8	1" NPT
F	FLUE GAS OUTLET (WITH ECO.)	116 1/8	29 5/8	78	ø20"OD DUCT
G	ECO. SAFETY RELIEF VALVE OUTLET	123 1/4	13 1/2	28 1/2	1 1/4" NPT
H	L.V.C. BLOW-OFF	14 1/8	62	6 7/8	1" NPT
I	SURFACE BLOWDOWN	52	4	25 7/8	3/8" NPT
J	MAIN SAFETY VALVE OUTLET	77 59/64	43 3/16	106 7/8	2 1/2" NPT
K	ECONOMIZER DRAIN	102 3/8	29 5/8	15 1/2	2" NPT
O	BOILER CORNER	0	0	0	-
CENTER		X	Y	Z	WEIGHT (lb)
A:	PRESSURE VESSEL	51 1/4	36 1/4	45	6250
B:	ECONOMIZER	109 1/2	29 5/8	46 1/4	970
C:	SEPARATOR	81 1/8	4	87 3/4	415
D:	WINDBOX	51 1/4	36 1/4	87 3/4	460
E:	CONTROL BOX	5 7/8	46	41 7/8	190
F:	GAS TRAIN	14 1/8	21 1/4	59 1/4	230
	BASE	51 1/4	36 1/4	45	200
⊕	CENTER OF GRAVITY (EXCEPT FOR ECONOMIZER)	50 1/2	34 1/2	50	7745

NO	NAME OF PART	MATERIAL	QTY	REMARKS / DRAWING #
----	--------------	----------	-----	---------------------

DWN.: KRYSTAL CK'D.: Yoshi Kamigata 7/23/2018 SCALE: NTS DO NOT SCALE

APPROVED: Koichi Masuda 7/24/2018 THIRD ANGLE SYSTEM DIM'N SHOWN ARE INCH

" CONFIDENTIAL "

THIS MATERIAL IS THE PROPERTY OF MIURA BOILER CO., LTD., AND MUST NOT BE REPRODUCED, PUBLISHED OR DISCLOSED TO OTHERS WITHOUT AUTHORIZATION.

SYM REVISION DATE BY DATE: 07/19/18

CAD DWG - NO MANUAL CHANGES PERMITTED



DESCRIPTION: ORIENTATION OF IN & OUTLET

DRAWING NUMBER EX07-0200-OR25