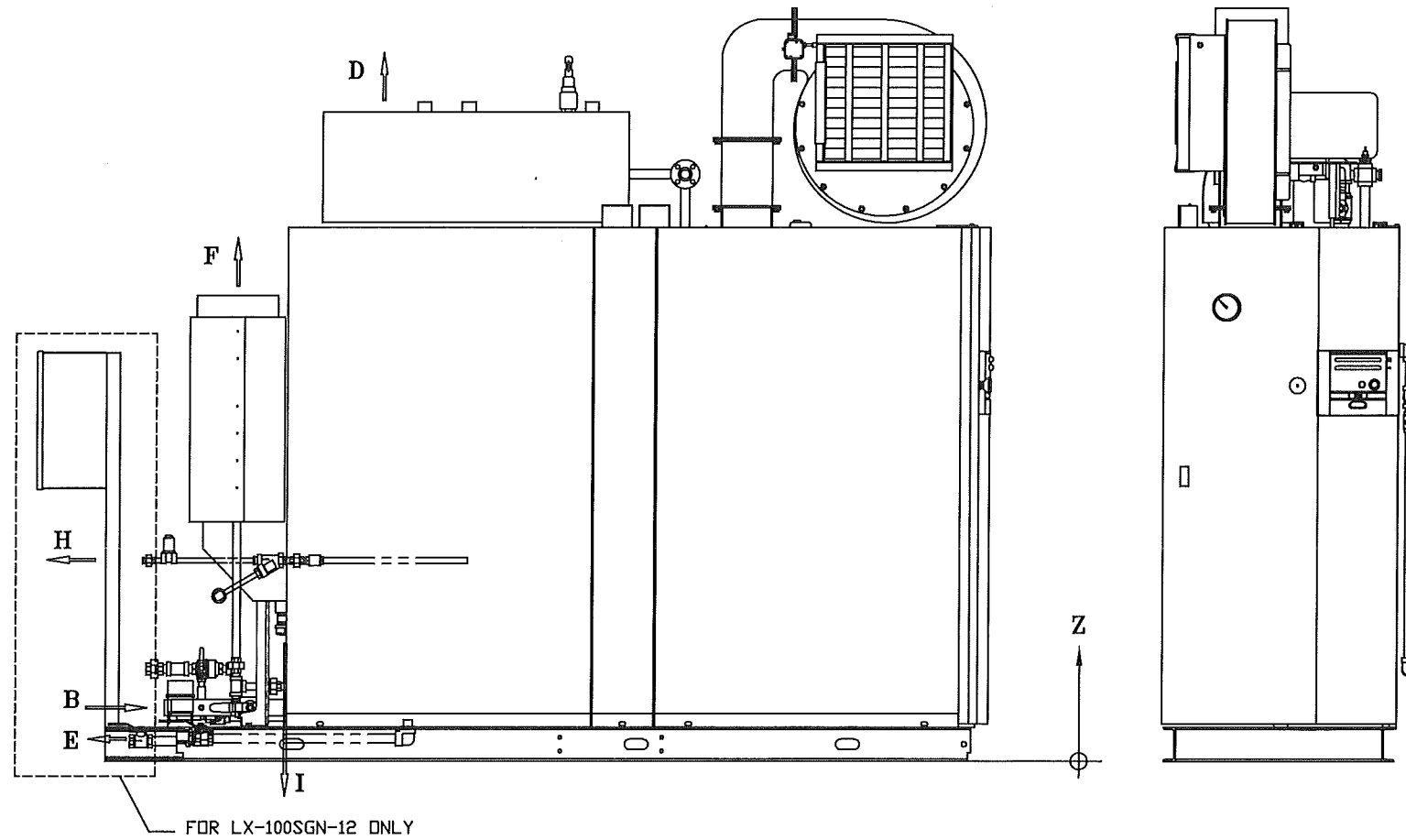
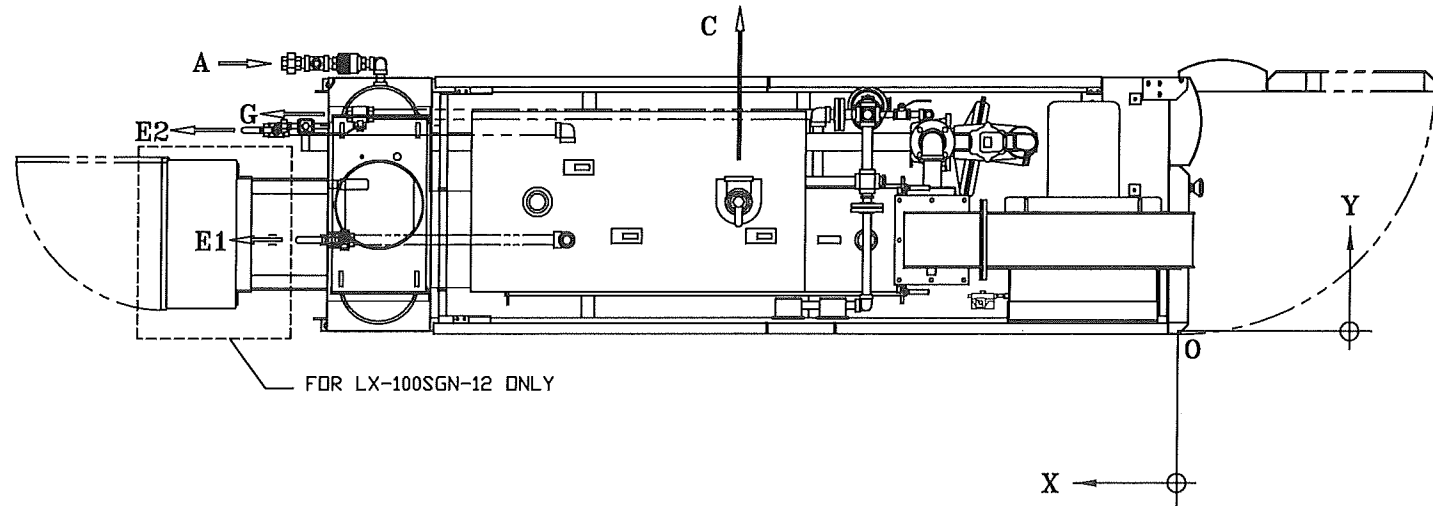


APP. TYPE	QTY
LX-100SG-12	1
LX-100SGN-12	1



NOTE:

- 1) THIS DRAWING ILLUSTRATED WITH AN ECONOMIZER.
- 2) DIMENSIONS, SPECIFICATIONS AND SOME PIPINGS ARE SUBJECT TO CHANGE WITHOUT NOTICE.
- 3) GAS VENT PIPING SHALL BE ENFORCED IN ACCORDANCE WITH LOCAL REGULATION.
- 4) E2 DIMENSION APPLIES ONLY FOR LX-100SGN-12 WITH AN INVERTER INSTALLED, OTHERWISE USE E1 DIMENSION.

LEGEND		DIMENSION (INCHES)			
		X	Y	Z	SIZE
A	FEEDWATER INLET	121	36	13 5/8	1" NPT
B	SUPPLY GAS INLET	118 1/4	25 3/8	7 3/8	2" NPT
C	MAIN SAFETY VALVE OUTLET	59 3/8	20 3/4	97 1/8	2" NPT
D	STEAM OUTLET	86 3/8	17 3/8	94	2" NPT
E1	BOTTOM BLOW-OFF (WITHOUT INVERTER)	114 5/8	12 1/4	3 1/4	1" NPT
E2	BOTTOM BLOW-OFF (WITH INVERTER)	123 3/8	27	3 1/4	1" NPT
F	FLUE GAS OUTLET	107 3/4	17	68 3/8	ø12"OD DUCT
G	L.V.C. BLOW-OFF	112 1/8	29 1/8	6 1/2	1" NPT
H	SURFACE BLOWDOWN	121 5/8	27 5/8	29 1/2	3/8" NPT
I	ECONOMIZER DRAIN	100 1/4	12 1/4	21 3/4	2" NPT
O	BOILER CORNER	0	0	0	-

NO	NAME OF PART	MATERIAL	QTY	REMARKS / DRAWING #
DWN.:	KRYSTAL	CK'D.:	Yoshi Kamiya 5/7/2018	SCALE: NTS DO NOT SCALE

" CONFIDENTIAL "

THIS MATERIAL IS THE PROPERTY OF MIURA BOILER CO., LTD., AND MUST NOT BE REPRODUCED, PUBLISHED OR DISCLOSED TO OTHERS WITHOUT AUTHORIZATION.

SYM	REVISION	DATE	BY	DATE:
	CAD DWG - NO MANUAL CHANGES PERMITTED	05/04/18		



APPROVED:	Koji Masuda 5/8/2018	THIRD ANGLE SYSTEM	DIM'N SHOWN ARE INCH
DESCRIPTION:		DRAWING NUMBER	
ORIENTATION OF IN & OUTLET		LX12-0100-0R66	