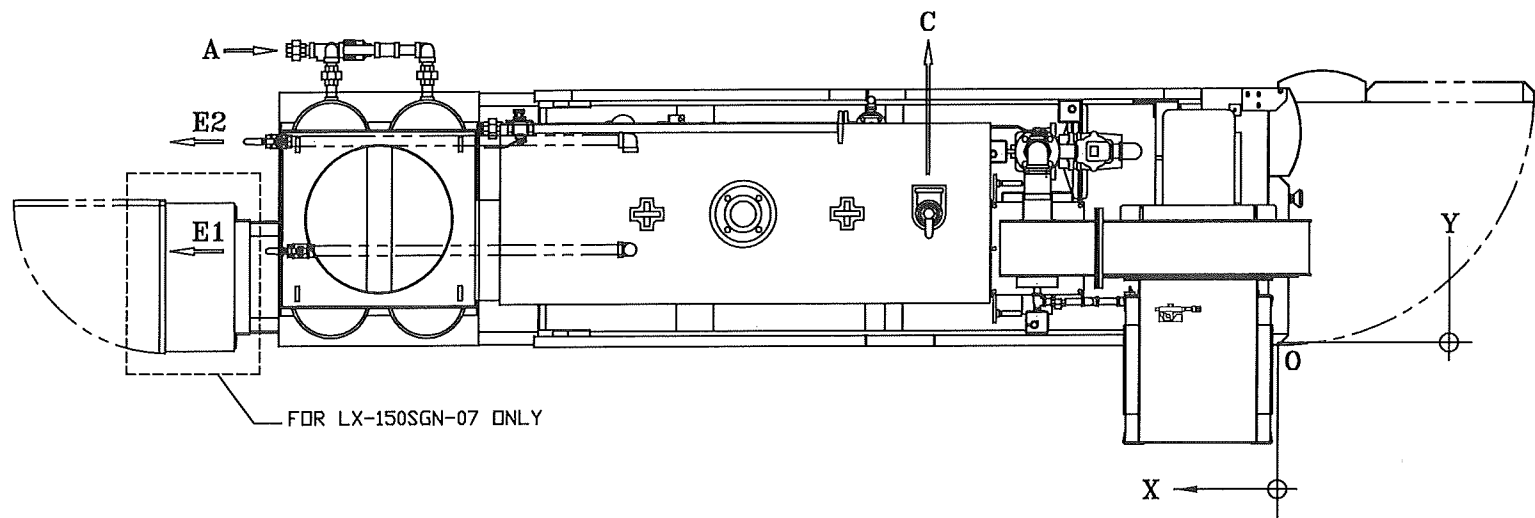


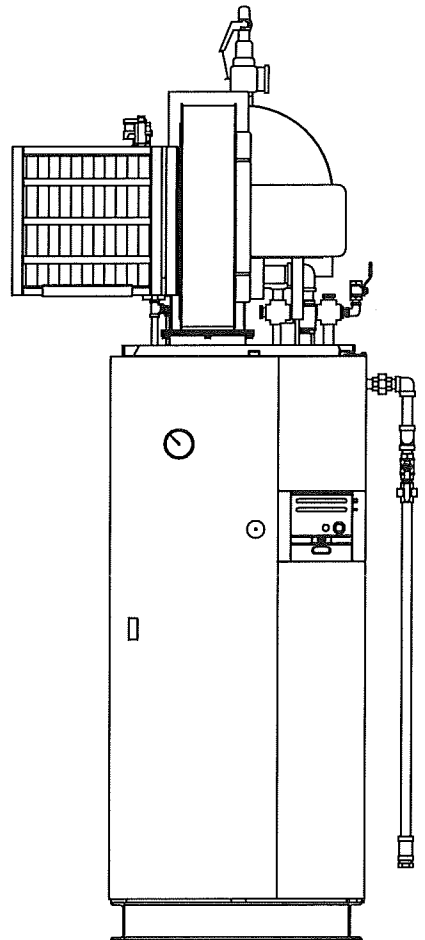
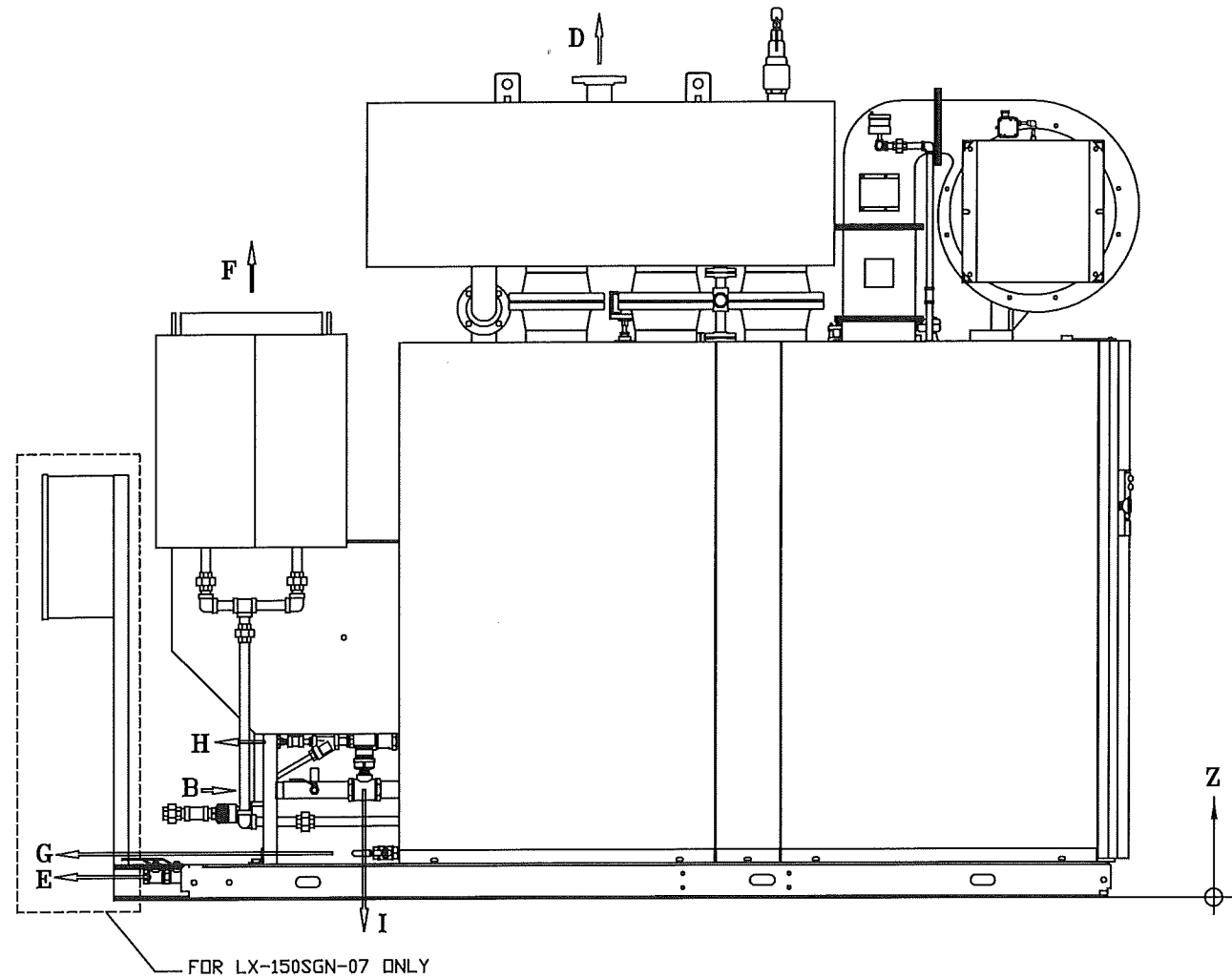
APP. TYPE	QTY
LX-150SG-07	1
LX-150SGN-07	1

NOTE: 1) THIS DRAWING ILLUSTRATED WITH AN ECONOMIZER.

- 2) DIMENSIONS, SPECIFICATIONS AND SOME PIPINGS ARE SUBJECT TO CHANGE WITHOUT NOTICE.
- 3) GAS VENT PIPING SHALL BE ENFORCED IN ACCORDANCE WITH LOCAL REGULATION.
- 4) E2 DIMENSION APPLIES ONLY FOR LX-150SGN-07 WITH AN INVERTER INSTALLED, OTHERWISE USE E1 DIMENSION.



LEGEND		DIMENSION (INCHES)			
		X	Y	Z	SIZE
A	FEEDWATER INLET	133 5/8	39 3/4	12 1/4	1" NPT
B	SUPPLY GAS INLET	117 5/8	25 3/4	15 1/2	2" NPT
C	MAIN SAFETY VALVE OUTLET	47	20 7/8	116	2 1/2" NPT
D	STEAM OUTLET	72	17 1/2	116	3" FLANGE
E1	BOTTOM BLOW-OFF (WITHOUT INVERTER)	133 3/8	12 3/4	3 3/8	1" NPT
E2	BOTTOM BLOW-OFF (WITH INVERTER)	136 3/8	27 1/2	3 3/8	1" NPT
F	FLUE GAS OUTLET	121	17	82 7/8	ø20"OD DUCT
G	L.V.C. BLOW-OFF	103 3/4	29 1/8	6 1/2	1" NPT
H	SURFACE BLOWDOWN	118 3/8	29 1/8	22 3/8	3/8" NPT
I	ECONOMIZER DRAIN	105	12 3/4	21 3/4	2" NPT
O	BOILER CORNER	0	0	0	-



NO	NAME OF PART	MATERIAL	QTY	REMARKS / DRAWING #
DWN.: KRYSTAL	CK'D.: <i>Yoshi Kamiya</i> 5/9/2018	SCALE: NTS	DO NOT SCALE	
DATE: 05/04/18		APPROVED: <i>Keiichi Masuda</i> 5/8/2018	THIRD ANGLE SYSTEM	DIM'N SHOWN ARE INCH
DESCRIPTION: ORIENTATION OF IN & OUTLET			DRAWING NUMBER LX07-0150-0R62	

" CONFIDENTIAL "

THIS MATERIAL IS THE PROPERTY OF MIURA BOILER CO., LTD., AND MUST NOT BE REPRODUCED, PUBLISHED OR DISCLOSED TO OTHERS WITHOUT AUTHORIZATION.

SYMBOL REVISION DATE BY DATE: 05/04/18

CAD DWG - NO MANUAL CHANGES PERMITTED

**MIURA**