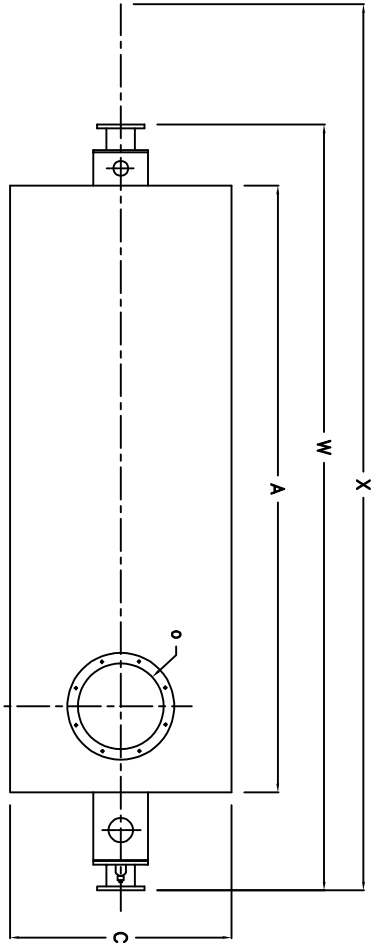
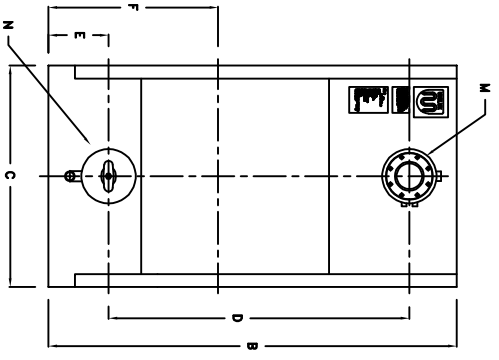


# ZF1000W-XP

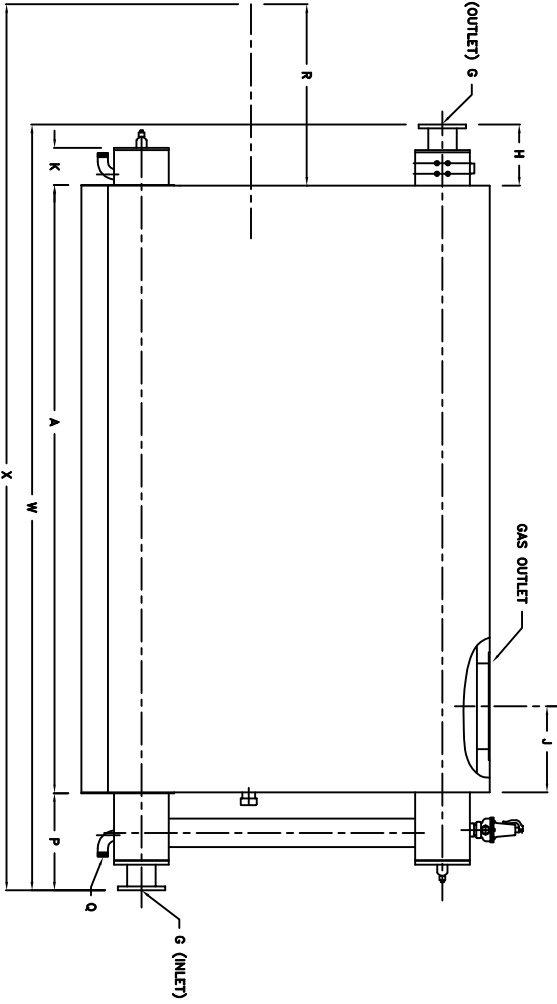
CHIMNEY FLANGE DIMS:  
 O.D. = 25"  
 I.D. = 20-1/4"  
 B.C.D = 22-1/2"  
 NO. OF HOLES = 8  
 HOLE DIAMETER = 0.53"



PLAN



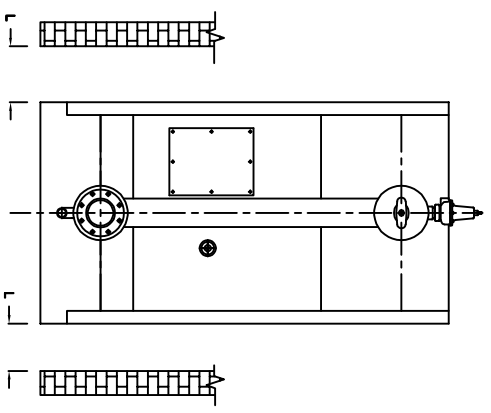
FRONT VIEW



SIDE VIEW

BOILER MODEL - ZF1000W-XP	INCHES	METRIC
A LENGTH OF BASE	141 1/2	3594
B HEIGHT	95	2413
C WIDTH OF BASE	51 1/2	1308
D CTR. LOWER DRUM TO CTR. UPPER DRUM	70	1778
E CENTER OF LOWER DRUM TO BOTTOM	14	356
F CENTER OF BURNER OPENING TO BOTTOM	39 1/2	1003
G INLET / OUTLET FLANGE, CLASS 150	8	192
H NOZZLE CLEARANCE FROM TOP, FRONT	14 1/4	362
J CENTER OF FLUE GAS OUTLET TO REAR	20	508
K DRUM CLEARANCE FROM BASE, FRONT	8 5/8	219
L TUBE REMOVAL CLEARANCE FROM BASE	34	864
M UPPER DRUM, OD, NPS	12 3/4	324
N LOWER DRUM, OD, NPS	12 3/4	324
O FLUE GAS OUTLET, ID	20	508
P NOZZLE CLEARANCE FROM BASE, REAR	22 5/8	575
Q BLOWDOWN, NPT	2	51
R BURNER DIMENSION	TBD	TBD
W OVERALL BOILER LENGTH	178 3/8	4531
X OVERALL BOILER LENGTH WITH BURNER	TBD	TBD

NOTE: DIMENSIONS SUBJECT TO CHANGE WITHOUT NOTICE. CONSULT FACTORY FOR CERTIFIED DIMENSIONS.



REAR VIEW

**UNILUX ADVANCED MFG., LLC**  
 30 COMMERCE PARK DRIVE  
 NISKAYUNA, NY 12539  
 Ph: (518) 344-7490

THIS DRAWING IS THE PROPERTY OF UNILUX ADVANCED MFG., LLC. ALL RIGHTS FOR REPRODUCTION, MODIFICATION, OR DISTRIBUTION ARE RESERVED BY UNILUX ADVANCED MFG., LLC.

PROJECT: -  
 LOCATION: ZF-1000W-XP  
 Model Sizes: ZF-1000W-XP  
 BURNER: -  
 ELECTRICAL: SUPPLY PSI -

Drawn By: EAM GAVIGAN Date: 10OCT24  
 Checked By: BRENDAN LEE Date: 10OCT24  
 Drawing No.: ZF1000W-XP - SUBMITTAL Scale: 1  
 File No.: ZF1000W-XP - SUBMITTAL REV.: 00

UNILUX

REVISIONS	DATE	BY	Rev No.