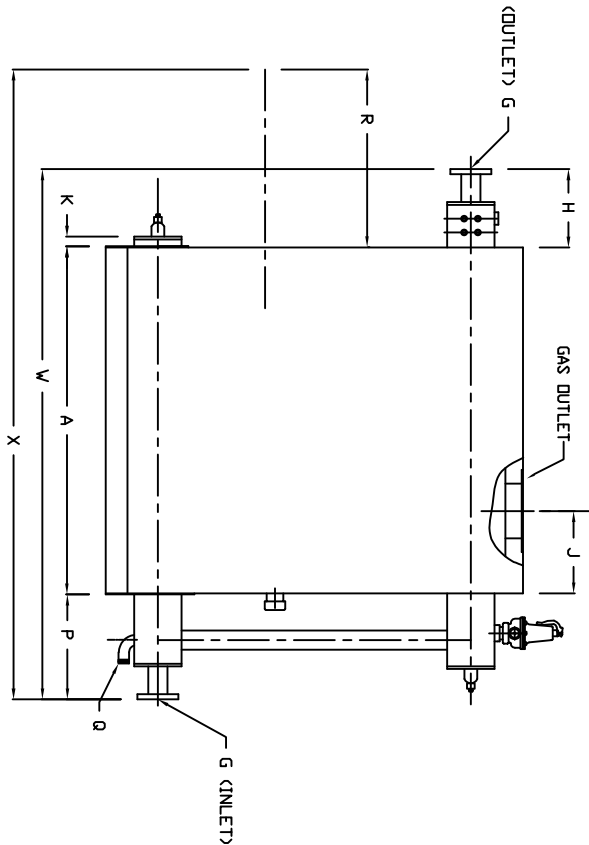
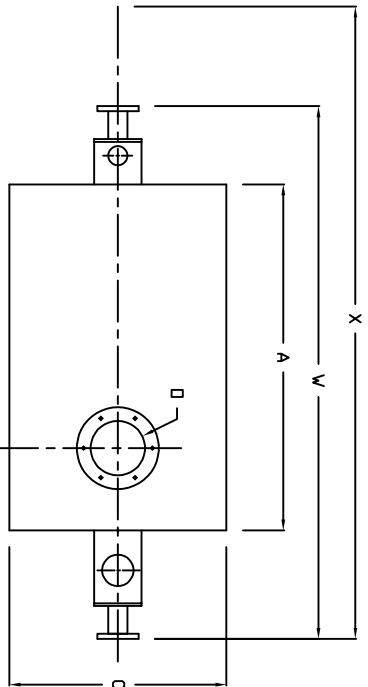
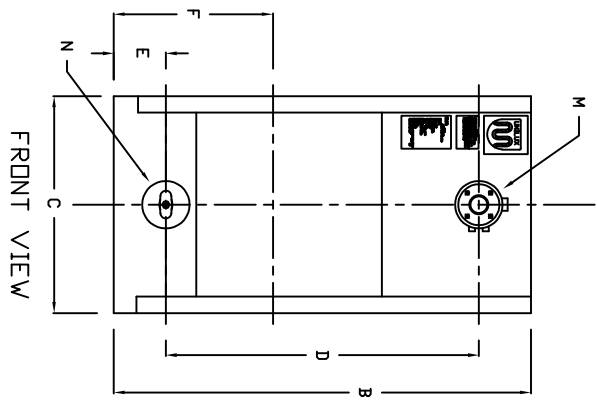
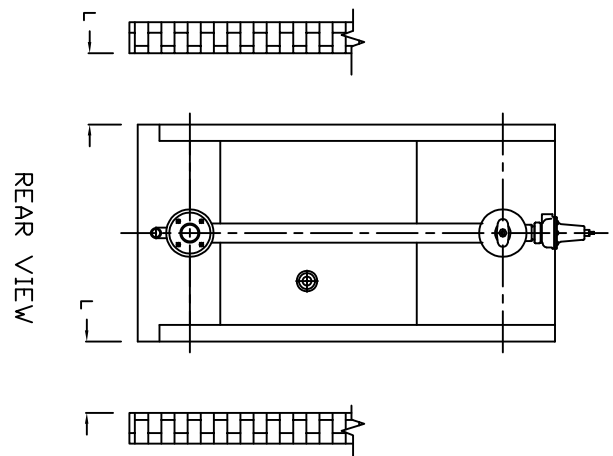


# ZF200W-XP

CHIMNEY FLANGE DIMS:  
 O.D. = 15"  
 I.D. = 10-1/4"  
 B.C.D = 12-1/2"  
 NO. OF HOLES = 6  
 HOLE DIAMETER = 0.53"



| BOILER MODEL - ZF200W-XP   | INCHES | METRIC |
|--|--------|--------|
| A LENGTH OF BASE   | 63     | 1600   |
| B HEIGHT   | 76     | 1930   |
| C WIDTH OF BASE  | 39 1/2 | 1003   |
| D CTR. LOWER DRUM TO CTR. UPPER DRUM   | 57     | 1448   |
| E CENTER OF BURNER OPENING TO BOTTOM   | 9 1/2  | 241    |
| F INLET / OUTLET FLANGE, CLASS 150   | 3      | 76     |
| G NOZZLE CLEARANCE FROM TOP, FRONT   | 14 1/4 | 362    |
| H CENTER OF FLUE GAS OUTLET TO REAR  | 15     | 381    |
| J TUBE REMOVAL CLEARANCE FROM BASE, FRONT  | 1 3/4  | 44     |
| K LOWER DRUM, OD, NPS  | 22     | 559    |
| L UPPER DRUM, OD, NPS  | 8 5/8  | 219    |
| M FLUE GAS OUTLET, ID  | 10     | 254    |
| N NOZZLE CLEARANCE FROM BASE, REAR   | 19 1/8 | 486    |
| O BLOWDOWN, NPT  | 1 1/2  | 38     |
| P BURNER DIMENSION   | TBD    | TBD    |
| Q OVERALL BOILER LENGTH  | 96 3/8 | 2448   |
| R OVERALL BOILER LENGTH WITH BURNER  | TBD    | TBD    |
| X NOTE: DIMENSIONS SUBJECT TO CHANGE WITHOUT NOTICE. CONSULT FACTORY FOR CERTIFIED DIMENSIONS. | TBD    | TBD    |



PROJECT: -

LOCATION: -

Model Sizes ZF 200W-XP

BURNER -

ELECTRIC -

SUPPLY PSI -

UNILUX ADVANCED MFG., LLC  
 30 COMMERCE PARK DRIVE  
 NISKAYUNA, NY 12309  
 Ph: (518) 344-7490



THIS DRAWING EMPLOYS A COMPENSATED PROPRIETARY DESIGN. ALL RIGHTS FOR REPRODUCTION, MANUFACTURING OR PATENTS ARE RESERVED BY UNILUX BOILER CORP.

Drawn By : EAN GAVIAGN

Checked By : BRENDAN LEE

Drawing No. ZF200W-XP - SUBMITTAL

File No. : ZF200W-XP - SUBMITTAL

Date : 10OCT24

Date : 10OCT24

Scale 1

REV.: 00

| REVISIONS | DATE | BY | Rev No. |
|-----------|------|----|---------|
|           |      |    |         |