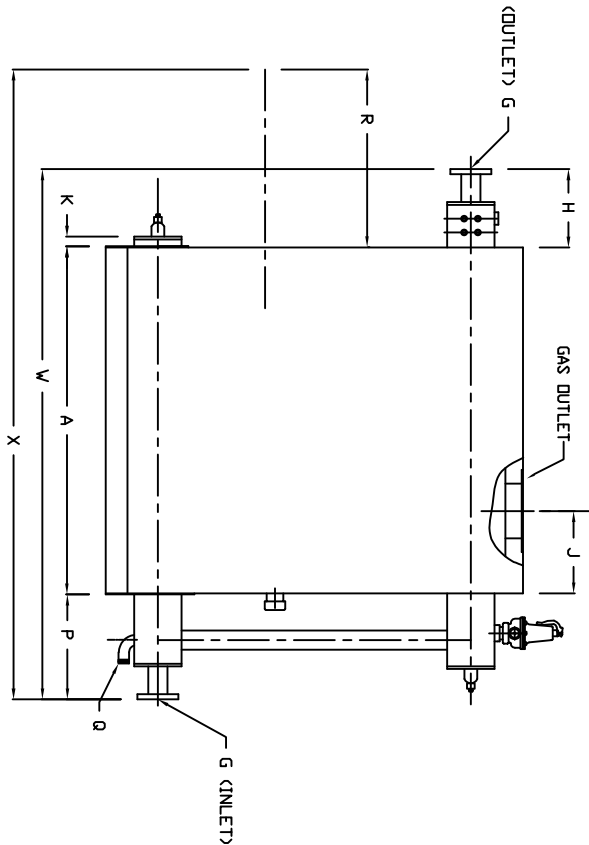
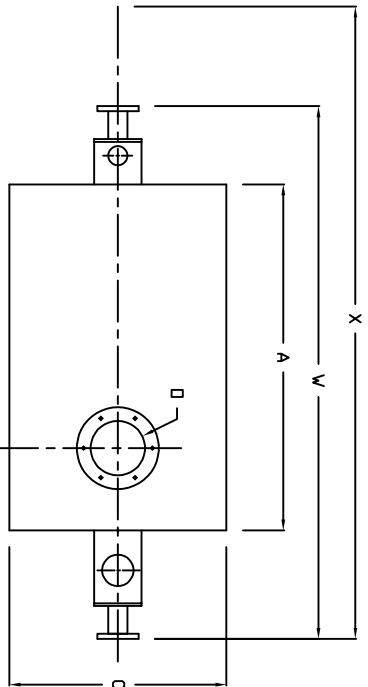
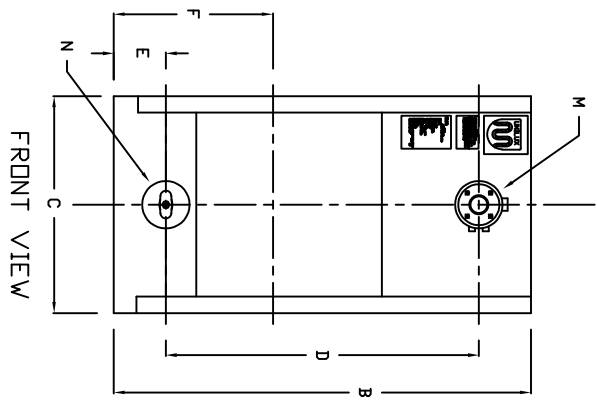


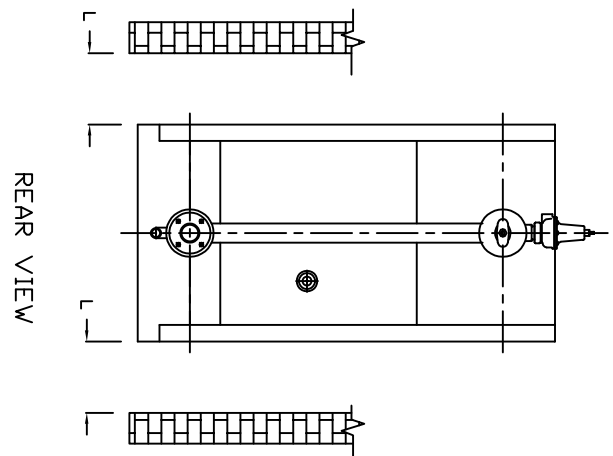
# ZF250W-XP

CHIMNEY FLANGE DIMS:  
 O.D. = 15"  
 I.D. = 10-1/4"  
 B.C.D = 12-1/2"  
 NO. OF HOLES = 6  
 HOLE DIAMETER = 0.53"



BOILER MODEL - ZF250W-XP		
	INCHES	METRIC
A	LENGTH OF BASE	63
B	HEIGHT	76
C	WIDTH OF BASE	1930
D	CTR. LOWER DRUM TO CTR. UPPER DRUM	39 1/2
E	CTR. LOWER DRUM TO BOT TOM	57
F	CTR. OF BURNER OPENING TO BOT TOM	9 1/2
G	INLET / OUTLET FLANGE, CLASS 150	29
H	NOZZLE CLEARANCE FROM TOP, FRONT	3
J	CTR. OF FLUE GAS OUTLET TO REAR	14 1/4
K	DRUM CLEARANCE FROM BASE, FRONT	15
L	TUBE REMOVAL CLEARANCE FROM BASE	1 3/4
M	UPPER DRUM, OD, NPS	22
N	LOWER DRUM, OD, NPS	8 5/8
O	FLUE GAS OUTLET, ID	8 5/8
P	NOZZLE CLEARANCE FROM BASE, REAR	10
Q	BLOWDOWN, NPT	19 1/8
R	BURNER DIMENSION	1 1/2
W	OVERALL BOILER LENGTH	36
X	OVERALL BOILER LENGTH WITH BURNER	96 3/8
		TBD
		TBD
		2448
		TBD

NOTE: DIMENSIONS SUBJECT TO CHANGE WITHOUT NOTICE. CONSULT FACTORY FOR CERTIFIED DIMENSIONS.



PROJECT: -

LOCATION: -

Model Sizes ZF 250W-XP

BURNER -

ELECTRIC -

SUPPLY PSI -

UNILUX ADVANCED MFG., LLC  
 30 COMMERCE PARK DRIVE  
 NISKAYUNA, NY 12309  
 Ph: (518) 344-7490



THIS DRAWING EMPLOYS A COMPENSATED PROPRIETARY DESIGN. ALL RIGHTS FOR REPRODUCTION, MANUFACTURING OR PATENTS ARE RESERVED BY UNILUX BOILER CORP.

Drawn By : EAN GAVIAGN

Checked By : BRENDAN LEE

Drawing No. ZF250W-XP - SUBMITTAL

File No. : ZF250W-XP - SUBMITTAL

Date : 10OCT24

Date : 10OCT24

Scale 1

REV.: 00

REVISIONS	DATE	BY	Rev No.