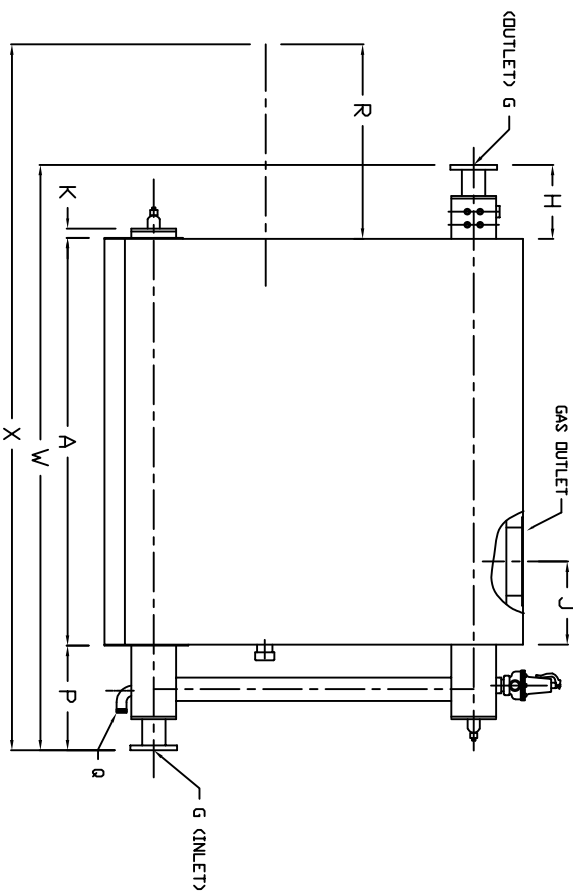
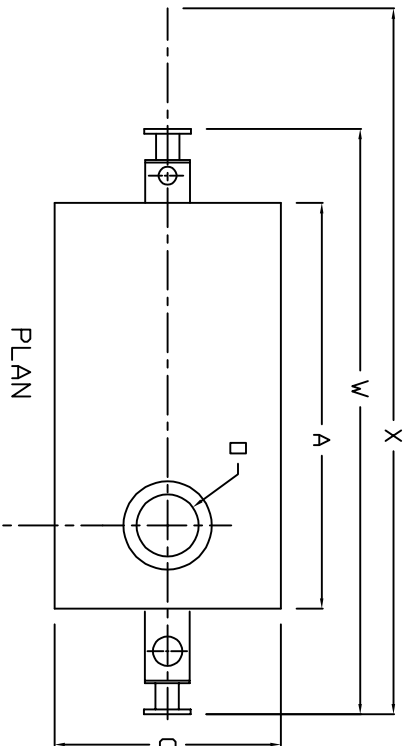
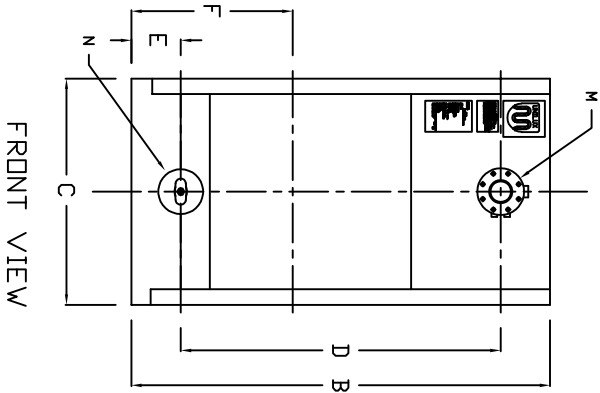
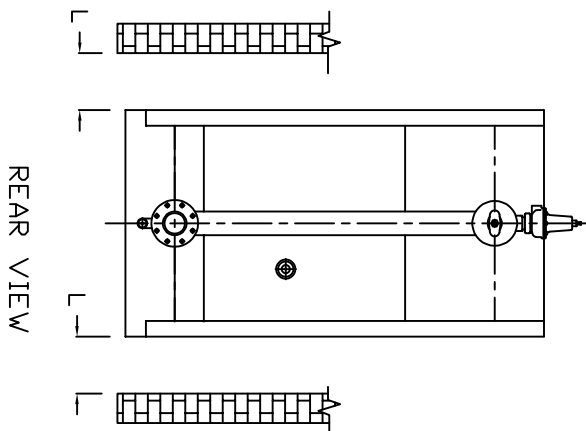


# ZF400W-XP

CHIMNEY FLANGE DIMS:  
 O.D. = 17"  
 I.D. = 12-1/4"  
 B.C.D = 14-1/2"  
 NO. OF HOLES = 8  
 HOLE DIAMETER = 0.53"



SIDE VIEW



REAR VIEW

BOILER MODEL - ZF400W-XP		
	INCHES	METRIC
A	78	1981
B	80 1/2	2044
C	43 1/2	1105
D	61 1/2	1562
E	9 1/2	241
F	31	787
G	4	102
H	14 1/4	362
J	16	406
K	1 3/4	44
L	26	660
M	8 5/8	219
N	8 5/8	219
O	12	305
P	20 1/8	511
Q	1 1/2	38
R	TBD	TBD
W	112 3/8	2854
X	TBD	TBD

NOTE: DIMENSIONS SUBJECT TO CHANGE WITHOUT NOTICE. CONSULT FACTORY FOR CERTIFIED DIMENSIONS.

PROJECT:	-
LOCATION:	-
Model Sizes	ZF 400W-XP
BURNER	-
ELECTRIC	-
SUPPLY PSI	-

UNILUX ADVANCED MFG.,LLC  
 30 COMMERCE PARK DRIVE  
 NISKAYUNA, NY 12309  
 Ph: (518) 344-7490



Drawn By :	EAN GAVIGAN	Date :	10OCT24
Checked By :	BRENDAN LEE	Date :	10OCT24
Drawing No. :	ZF400W-XP - SUBMITTAL	Scale :	1
File No. :	ZF400W-XP - SUBMITTAL	REV.:	00

REVISIONS	DATE	BY	Rev No.