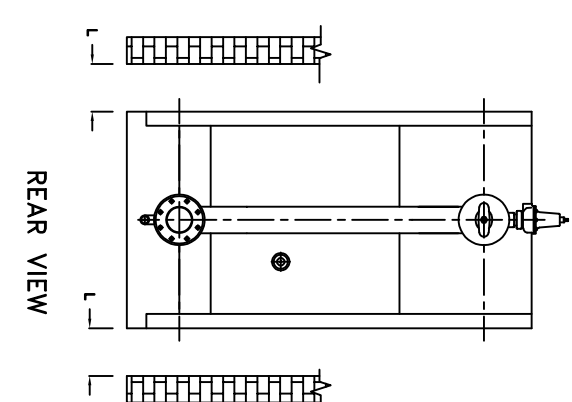
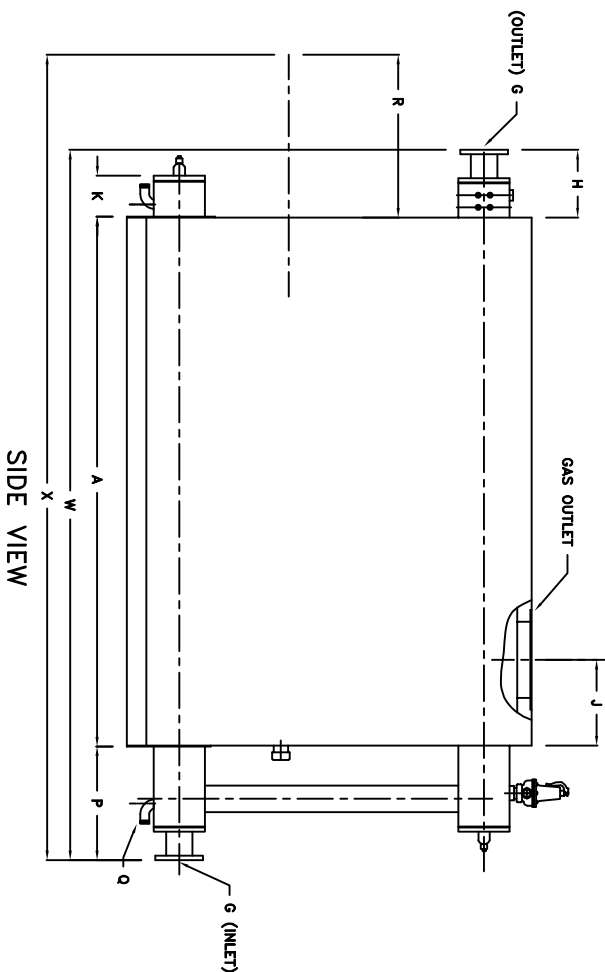
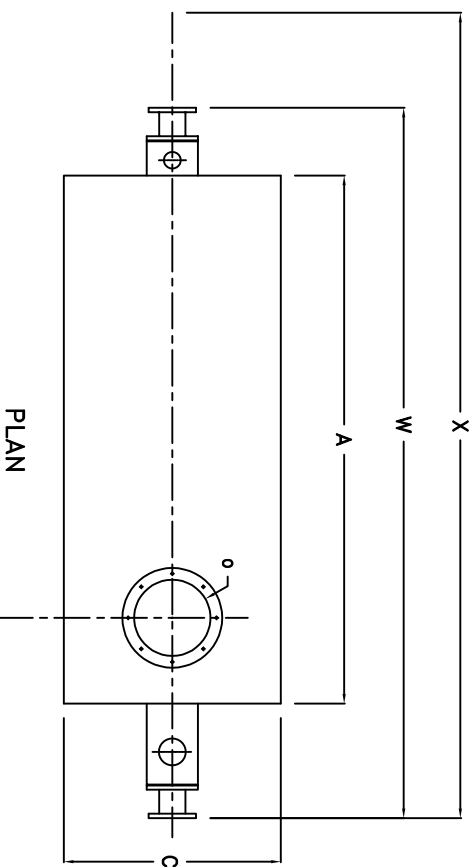
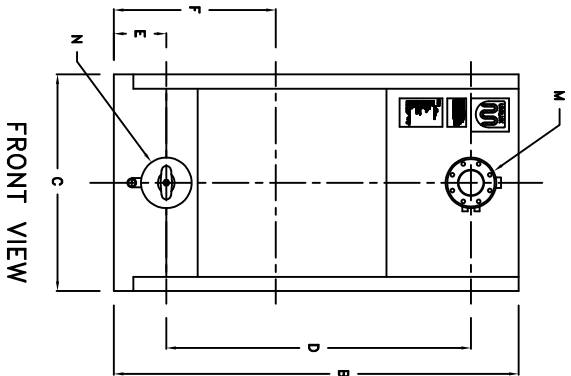


ZF700W-XP

CHIMNEY FLANGE DIMS:
 O.D. = 21"
 I.D. = 16-1/4"
 B.C.D = 18-1/2"
 NO. OF HOLES = 8
 HOLE DIAMETER = 0.53"



| BOILER MODEL - ZF700W-XP | INCHES | METRIC |
|--------------------------------------|---------|--------|
| A LENGTH OF BASE | 111 1/4 | 2826 |
| B HEIGHT | 85 | 2159 |
| C WIDTH OF BASE | 45 1/2 | 1156 |
| D CTR. LOWER DRUM TO CTR. UPPER DRUM | 64 | 1626 |
| E CENTER OF LOWER DRUM TO BOTTOM | 11 | 279 |
| F CENTER OF BURNER OPENING TO BOTTOM | 34 | 864 |
| G INLET / OUTLET FLANGE CLASS 150 | 5 | 127 |
| H NOZZLE CLEARANCE FROM TOP, FRONT | 14 1/4 | 362 |
| J CENTER OF FUE GAS OUTLET TO REAR | 18 | 457 |
| K DRUM CLEARANCE FROM BASE, FRONT | 8 5/8 | 219 |
| L TUBE REMOVAL CLEARANCE FROM BASE | 28 | 711 |
| M UPPER DRUM, OD, NPS | 10 3/4 | 273 |
| N LOWER DRUM, OD, NPS | 16 | 406 |
| O FUE GAS OUTLET ID | 10 3/4 | 273 |
| P NOZZLE CLEARANCE FROM BASE, REAR | 23 7/8 | 606 |
| Q BLOWDOWN, NPT | 1 1/2 | 38 |
| R BURNER DIMENSION | TBD | TBD |
| W OVERALL BOILER LENGTH | 149 3/8 | 3794 |
| X OVERALL BOILER LENGTH WITH BURNER | TBD | TBD |

NOTE: DIMENSIONS SUBJECT TO CHANGE WITHOUT NOTICE. CONSULT FACTORY FOR CERTIFIED DIMENSIONS.

PROJECT: -

LOCATION: -

Model Sizes ZF 700W-XP

BURNER -

ELECTRIC -

SUPPLY PSI -

UNILUX ADVANCED MFG., LLC
 30 COMMERCE PARK DRIVE
 NISKAYUNA, NY 12309
 Ph: (518) 344-7490



| REVISIONS | DATE | BY | Rev No. |
|-----------|------|----|---------|
| | | | |

| | | | |
|---------------|-----------------------|---------|---------|
| Drawn By : | EAV GAVIGAN | Date : | 10OCT24 |
| Checked By : | BRENDAN LEE | Date : | 10OCT24 |
| Drawing No. : | ZF700W-XP - SUBMITTAL | Scale : | 1 |
| File No. : | ZF700W-XP - SUBMITTAL | REV.: | 00 |