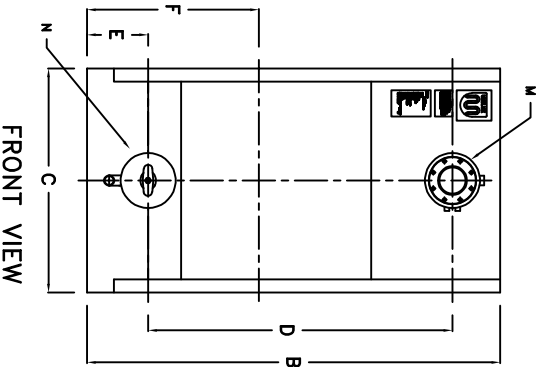
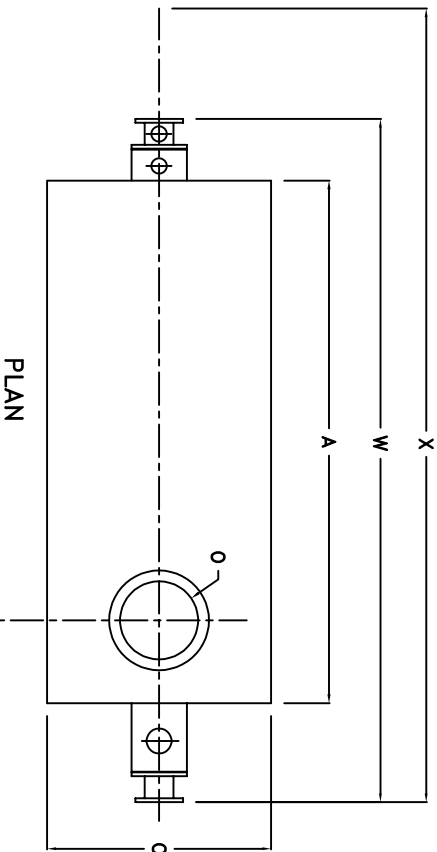


ZF900W-XP

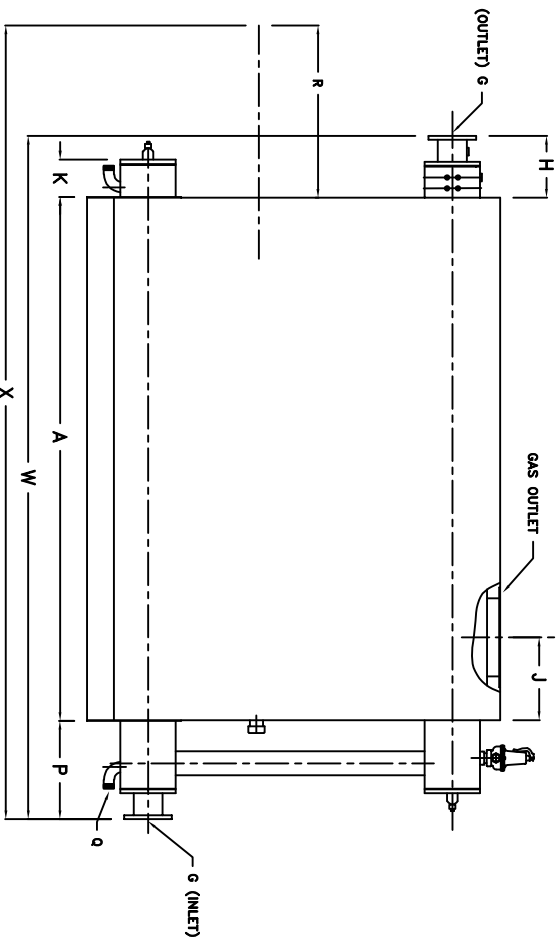
CHIMNEY FLANGE DIMS:
 O.D. = 23"
 I.D. = 18-1/4"
 B.C.D = 20-1/2"
 NO. OF HOLES = 8
 HOLE DIAMETER = 0.53"



FRONT VIEW



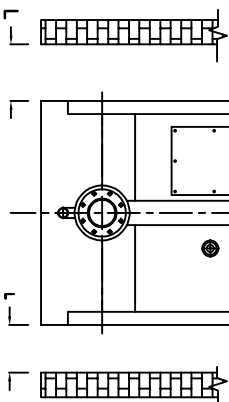
PLAN



SIDE VIEW

BOILER MODEL - ZF900W-XP		
	INCHES	METRIC
A	LENGTH OF BASE	120 1/2 3061
B	HEIGHT	95 241.3
C	WIDTH OF BASE	51 1/2 1308
D	CTR. LOWER DRUM TO CTR. UPPER DRUM	70 1778
E	CENTER OF LOWER DRUM TO BOTTOM	14 356
F	CENTER OF BURNER OPENING TO BOTTOM	39 1/2 1003
G	INLET / OUTLET FLANGE CLASS 150	6 152
H	NOZZLE CLEARANCE FROM TOP, FRONT	14 1/4 362
J	CENTER OF FLUE GAS OUTLET TO REAR	19 483
K	DRUM CLEARANCE FROM BASE, FRONT	8 5/8 219
L	TUBE REMOVAL CLEARANCE FROM BASE	34 864
M	UPPER DRUM, OD, NPS	12 3/4 324
N	LOWER DRUM, OD, NPS	12 3/4 324
O	FLUE GAS OUTLET, ID	18 457
P	NOZZLE CLEARANCE FROM BASE, REAR	22 5/8 575
Q	BLOWDOWN, NPT	2 51
R	BURNER DIMENSION	2 TBA
W	OVERALL BOILER LENGTH WITH BURNER	157 3/8 TBA
X	OVERALL BOILER LENGTH	TBA TBA

NOTE: DIMENSIONS SUBJECT TO CHANGE WITHOUT NOTICE. CONSULT FACTORY FOR CERTIFIED DIMENSIONS.



REAR VIEW

REVISIONS	DATE	BY	Rev No.

PROJECT:	-
LOCATION:	-
Model Sizes	ZF 900W-XP
BURNER	-
ELECTRIC	-
SUPPLY PSI	-

UNILUX ADVANCED MFG, LLC
 30 COMMERCE PARK DRIVE
 NISKAYUNA, NY 12309
 Ph: (518) 344-7490

THIS DRAWING ENDOES A CONFIDENTIAL PROPRIETARY DESIGN. ALL RIGHTS FOR REPRODUCTION, MANUFACTURING OR PATENTS ARE RESERVED BY UNILUX BOILER CORP.

Drawn By : EAM GAVIGAN
 Checked By : BRENDAN LEE
 Drawing No. : ZF900W-XP - SUBMITTAL
 File No. : ZF900W-XP - SUBMITTAL

Date : 10OCT24
 Date : 10OCT24
 Scale : 1
 REV. : 00